

# 4K Starlight OmniView Network Camera

IPC8542ER5-DUG



## Key Features

### Optics

- Fifth-generation infrared technology, up to 50m (164ft) IR distance
- Starlight illumination
- IR anti-reflection window to increase the infrared transmittance
- Smart IR
- 2D/3D DNR (Digital Noise Reduction)
- 120dB true WDR
- Support a horizontal viewing angle of 180°

### Compression

- Ultra H.265, H.265, H.264, MJPEG
- Five streams
- Customized OSD
- 4096×1800@30fps supported

### Network

- ONVIF Conformance

### Structure

- Intelligent temperature control technology
- Wide temperature range: -40°C to 70°C (-40°F to 158°F)
- Wide voltage range of  $\pm 25\%$
- More effective heat dissipation system

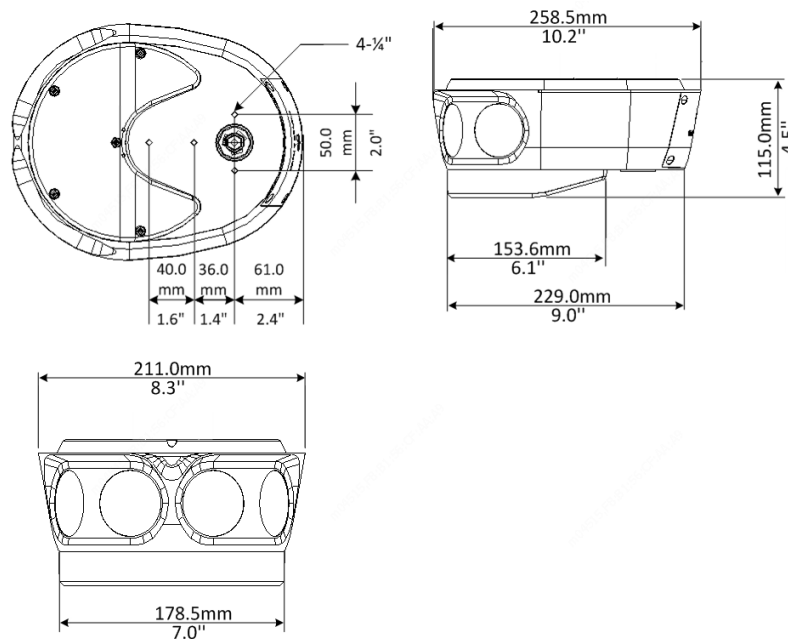
- IP67

## Specifications

IPC8542ER5-DUG					
<b>Camera</b>					
Sensor	1/1.8" progressive scan, 2.0 megapixel, CMOS				
Lens	4 × 4.2mm lens				
DORI Distance	Lens	Detect(m)	Observe(m)	Recognize(m)	Identify(m)
	4.2mm	50.4 (165.4ft)	20.2(66.3ft)	10.1(33.1ft)	5.0(16.4ft)
Angle of View (H)	180°				
Angle of View (V)	80°				
Angle of View (O)	221.4°				
Adjustment angle	Pan: -90°~90°			Tilt: -45°~60°	
Shutter	Auto/Manual, shutter time: 1 s ~ 1/100000 s				
Minimum Illumination	Colour: 0.002lux (F1.8,AGC ON) 0lux with IR				
Iris	F1.8				
Day/Night	IR-cut filter with auto switch (ICR)				
S/N	>55 dB				
IR Range	UP to 50m (164ft)				
Defog	Digital Defog				
WDR	120dB				
<b>Video</b>					
Video Compression	Ultra H.265,H.265, H.264, MJPEG				
Frame Rate	Main Stream: 4096×1800:Max. 30 fps; Sub Stream: 1920×832:Max. 30 fps; Third Stream: 1280×560: Max. 30 fps; Fourth Stream: 1280×560: Max. 30 fps; Fifth Stream: 1280×560: Max. 30 fps;				
HLC	Supported				
BLC	Supported				
OSD	Up to 8 OSDs				
Privacy Mask	Up to 8 areas(8 blacks/8 mosaics)				
ROI	Up to 8 areas				
<b>Smart</b>					
General Function	Watermark, IP Address Filtering, Tampering Alarm, Alarm input, Alarm output, Access Policy, ARP Protection, RTSP Authentication, User Authentication				
<b>Audio</b>					
Audio Compression	G.711				
Two-way Audio	Supported				
Suppression	Supported				
Sampling Rate	8KHz				
<b>Storage</b>					
Edge Storage	Micro SD, up to 256 GB				

Network Storage	ANR
<b>Network</b>	
Protocols	IPv4, IGMP, ICMP, ARP, TCP, UDP, DHCP, PPPoE, RTP, RTSP, RTCP, DNS, DDNS, NTP, FTP, UPnP, HTTP, HTTPS, SMTP, 802.1x, SNMP, QoS
Compatible Integration	ONVIF (Profile S, Profile G, Profile T), API
<b>Interface</b>	
Audio I/O	1 Input: impedance 35 kΩ; amplitude 2 V [p-p]
	1 Output: impedance 600 Ω; amplitude 2 V [p-p]
Serial Port	1 RS485
Alarm I/O	2/1
Network	1*100M/1000M Base-FX SFP + 2*10M/100M/1000M Base-TX Ethernet
<b>General</b>	
Power	AC24V±25%/DC24V support 18V-48V
	Power consumption: 45W MAX
Dimensions	259mmx211mmx115mm ((10.2"×8.3"×4.5"))
Weight	2.4kg(5.3lb)
Working Environment	-40°C ~ +70°C (-40°F ~ 158°F), Humidity:10%~95% RH(non-condensing)
Ingress Protection	IP67
Reset Button	Supported

## Dimensions



### Zhejiang Uniview Technologies Co., Ltd.

South Tower, Building 10, Wanlun Science Park, 88 Jiangling Road, Hangzhou, P.R.China 310051

Email: [overseasbusiness@uniview.com](mailto:overseasbusiness@uniview.com); [globalsupport@uniview.com](mailto:globalsupport@uniview.com)

<http://www.uniview.com>

©2019 Zhejiang Uniview Technologies Co., Ltd. All rights reserved.

\*Product specifications and availability are subject to change without notice.